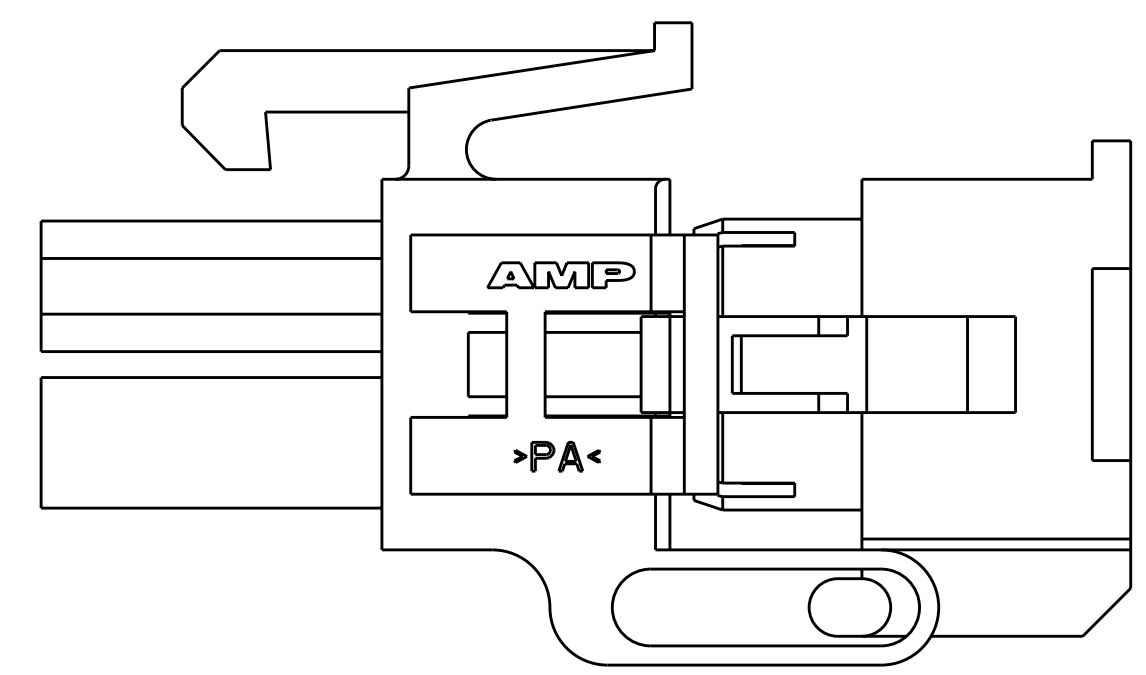
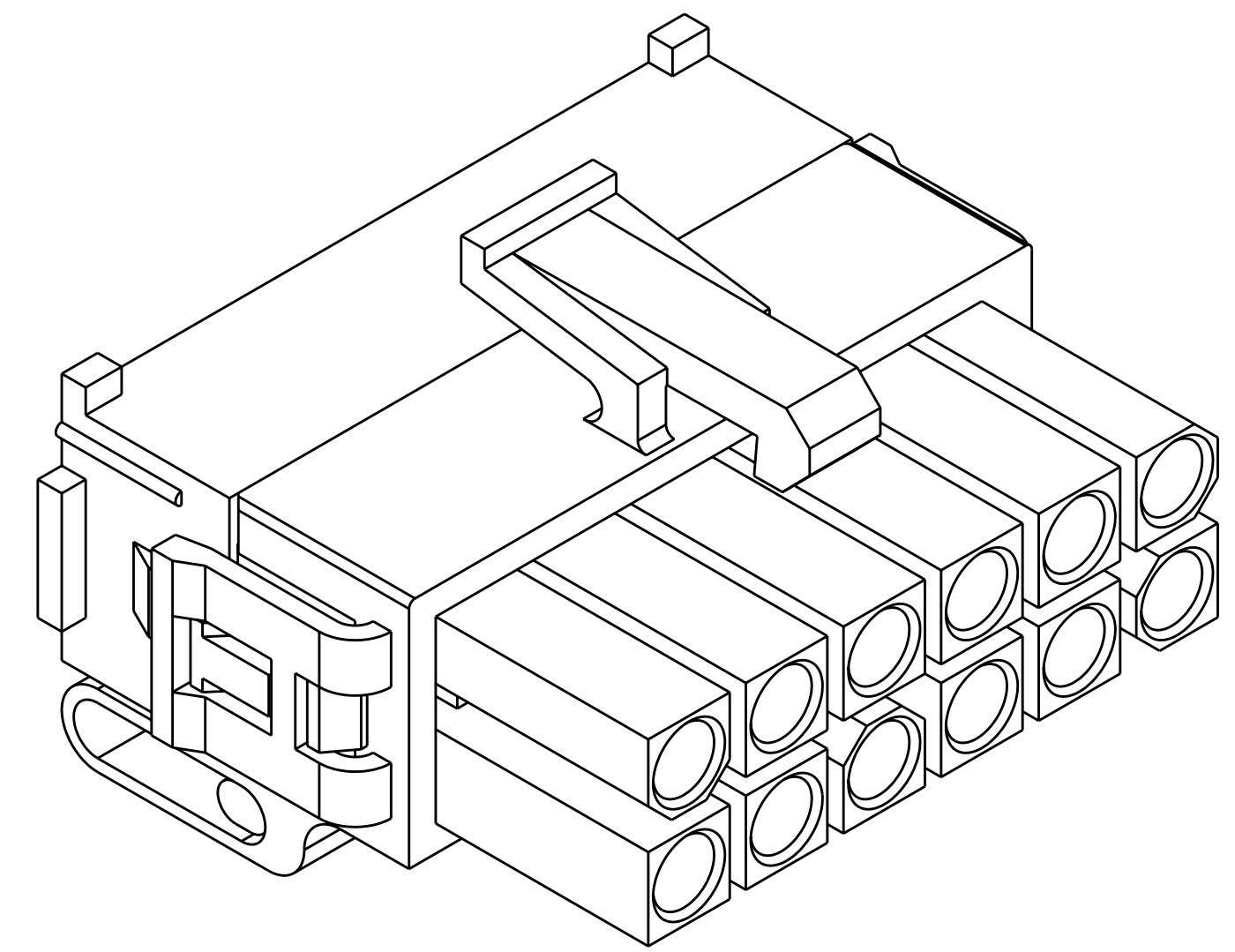
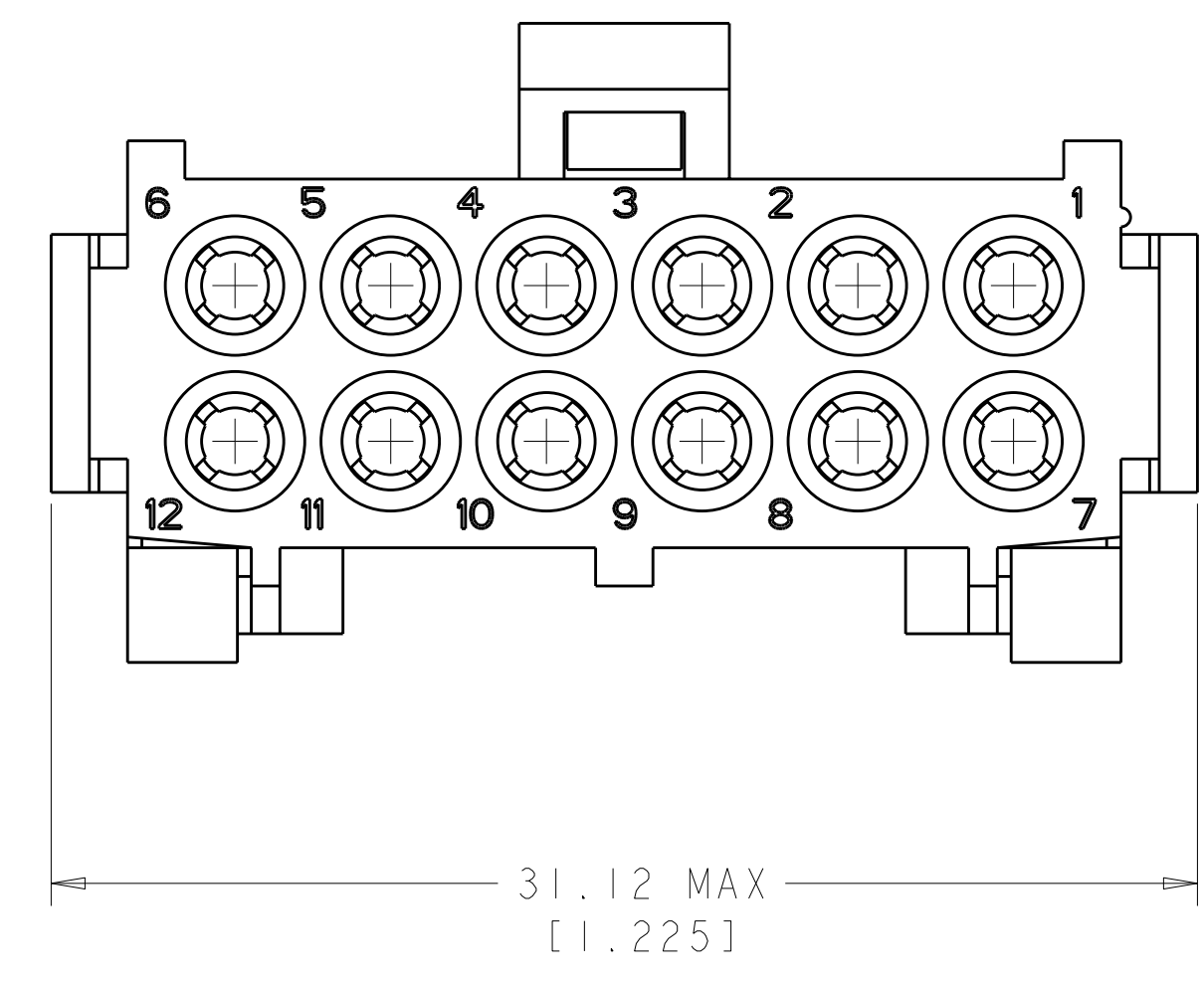
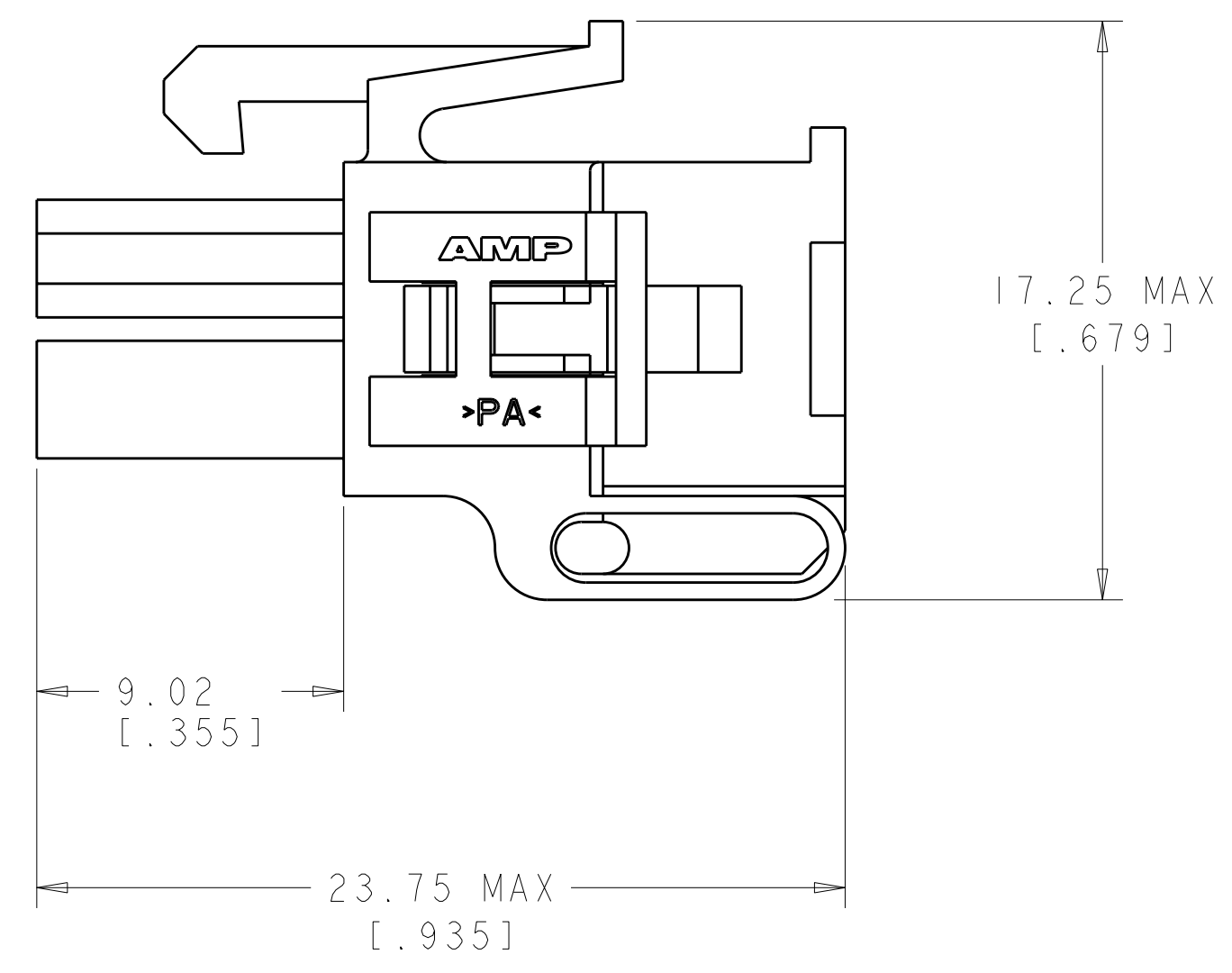
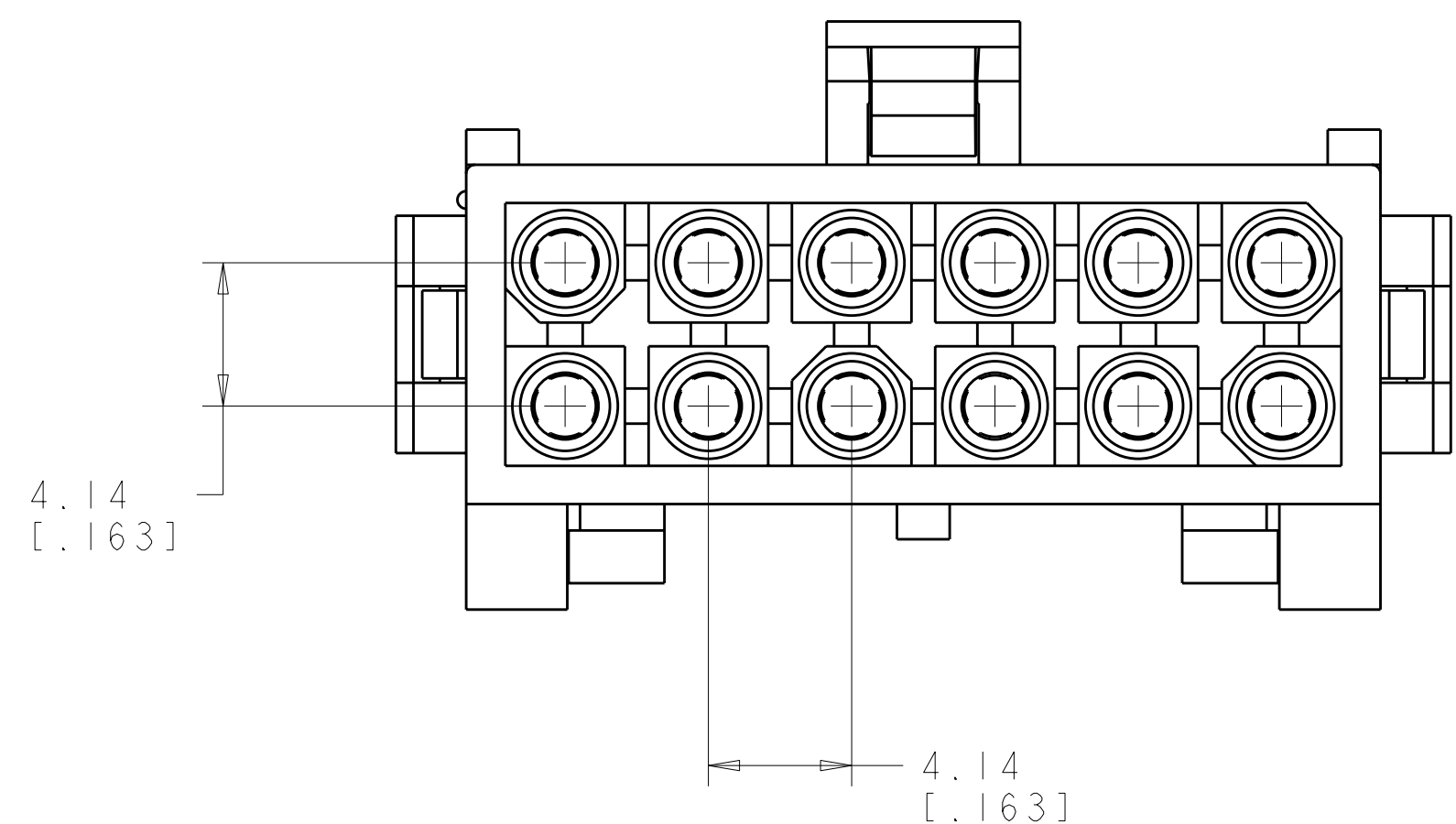


LOC		DIST		REVISIONS			
CM	00	P	LTR	DESCRIPTION	DATE	DWN	APVD
		C		REVISED PER ECO-09-018187	10AUG2009	HMR	MS



PRE-STAGED CONDITION



0.21 IN ³	794198-1
VOLUME	PART NUMBER

<small>THIS DRAWING IS A CONTROLLED DOCUMENT FOR TYCO ELECTRONICS CORPORATION. IT IS SUBJECT TO CHANGE WITHOUT NOTICE AND WITHOUT OBLIGATION. SHOULD BE CONTACTED FOR THE LATEST REVISION.</small>		DWN: R. WHITAKER 01AUG2007 CHK: C. JONES 01AUG2007 APVD: C. JONES 01AUG2007	Tyco Electronics Harrisburg, PA 17105-3608
DIMENSIONS: mm [INCHES]		PRODUCT SPEC: - APPLICATION SPEC: - WEIGHT: -	NAME: PLUG, DUAL ROW, 12 CIRCUIT, MINI UNIVERSAL MATE-N-LOK(TM) 2 SIZE: A CAGE CODE: 794198 DRAWING NO: 794198 RESTRICTED TO: C
TOLERANCES UNLESS OTHERWISE SPECIFIED: 0 PLC ± 1 PLC ± 2 PLC ±0.13 (1.005) 3 PLC ± 4 PLC ± ANGLES ±40° 30'		FINISH: - MATERIAL: NYLON UL 94V-0, NATURAL	Tyco Electronics logo CUSTOMER DRAWING SCALE: 5:1 SHEET: 1 OF 1 REV: C

